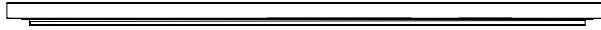


Pre-Hung Door Installation Instructions

3

Install Header Z-bar.



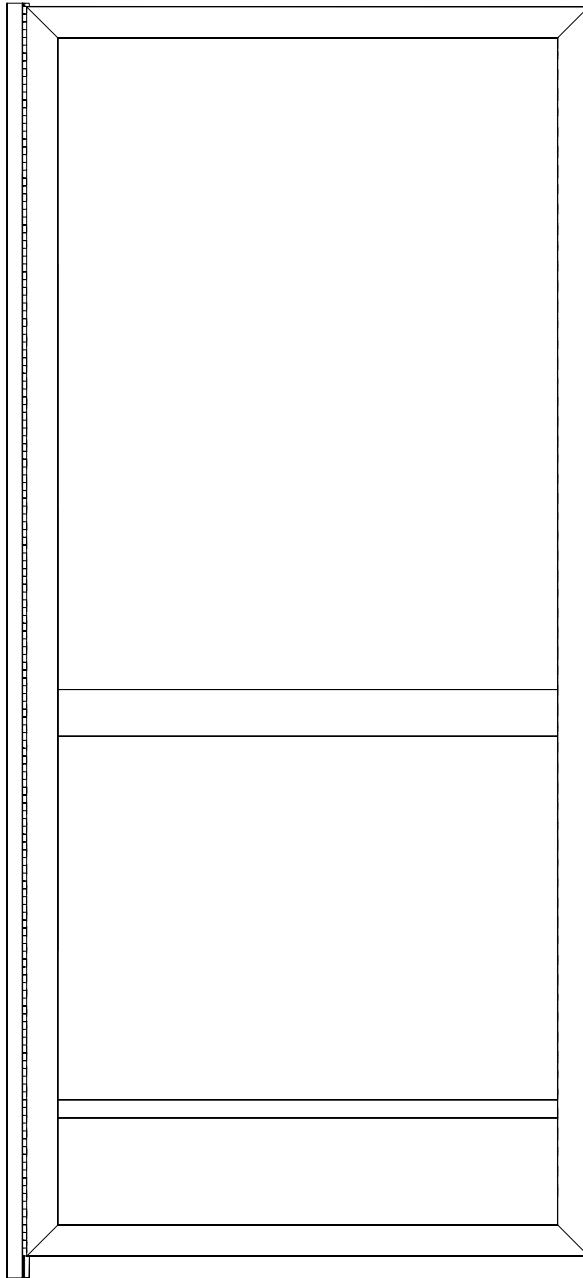
1

If hinge is shipped loose, determine which way the door needs to swing and go to Page 2 to install hinge before proceeding.

2

Fasten hinge side Z-bar to jamb. Trim if necessary.

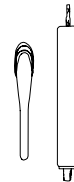
Be sure to install fasteners through piano hinge into jamb.



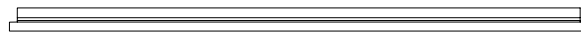
4

Fasten handle side Z-bar to jamb. Trim if necessary.

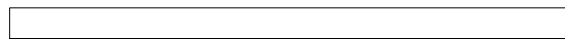
5



Install handle and closure tube. Following Handle Instructions



Surface Mount Bugsweep (Standard)



Adjustable Bugsweep (Optional)

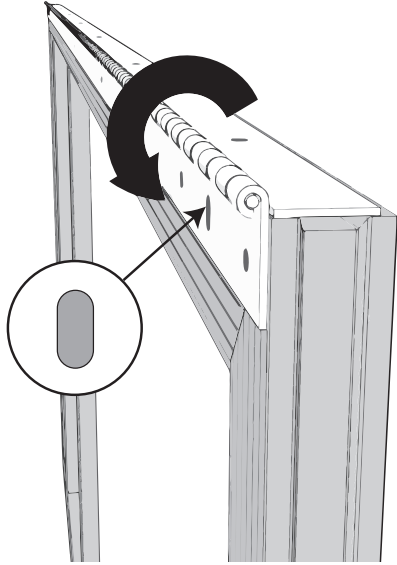
6

Install bug sweep.

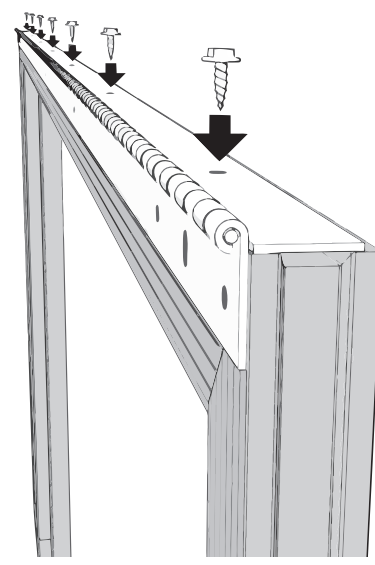
Zeus™ Installation Instructions

using PCA Z-Bar with *Built-In Guide Rail*

1 Place Hinge On Door Frame As Shown

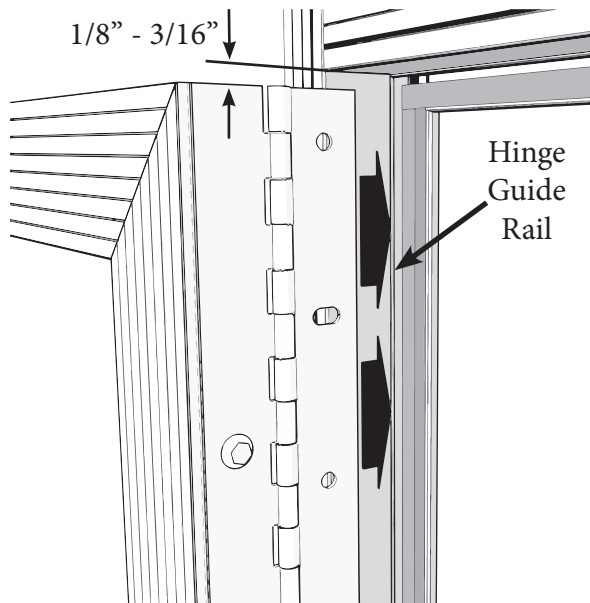


2 Screw Piano Hinge To Door Frame

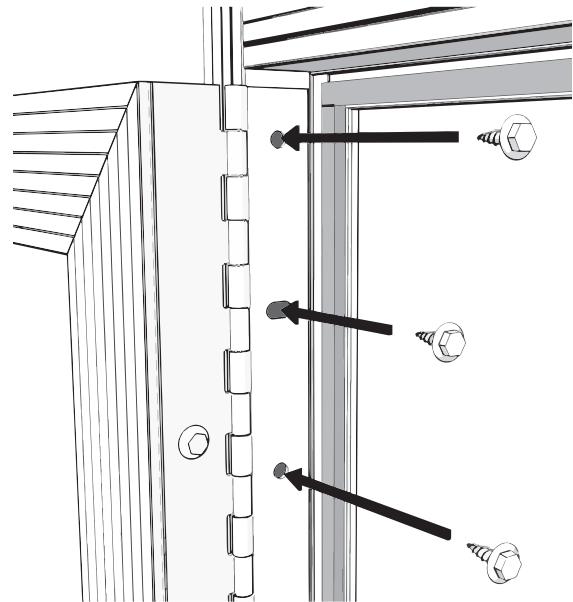


Watch The Video at www.pcaproducts.com/hingeinstall

3 Place Hinge Against Hinge Guide Rail
1/8" - 3/16" Down From Header



4 Place Screws In Every Hole,
Starting At The Top



Watch The Video at www.pcaproducts.com/doorinstall

Step 5: Install Door Handle and Closure Tube

Follow instructions supplied with the door handle and closure assembly.

Do you need to install an EZ Pull handle?
Follow the QR code to download specific instructions for each handle.
www.pcaproducts.com/help

