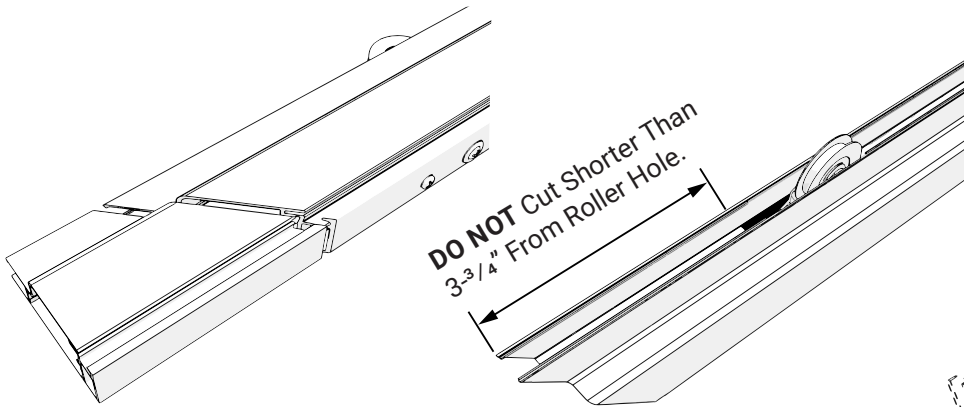


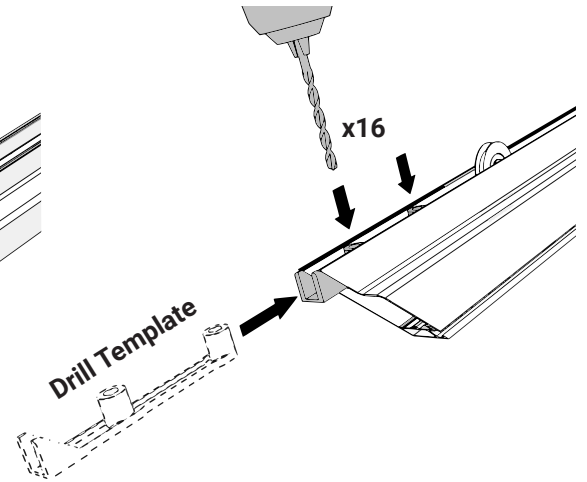
**1: If Frame Is Pre-Cut To Size, Skip To Step 4**

**2: Measure And Cut Frame To Size.**

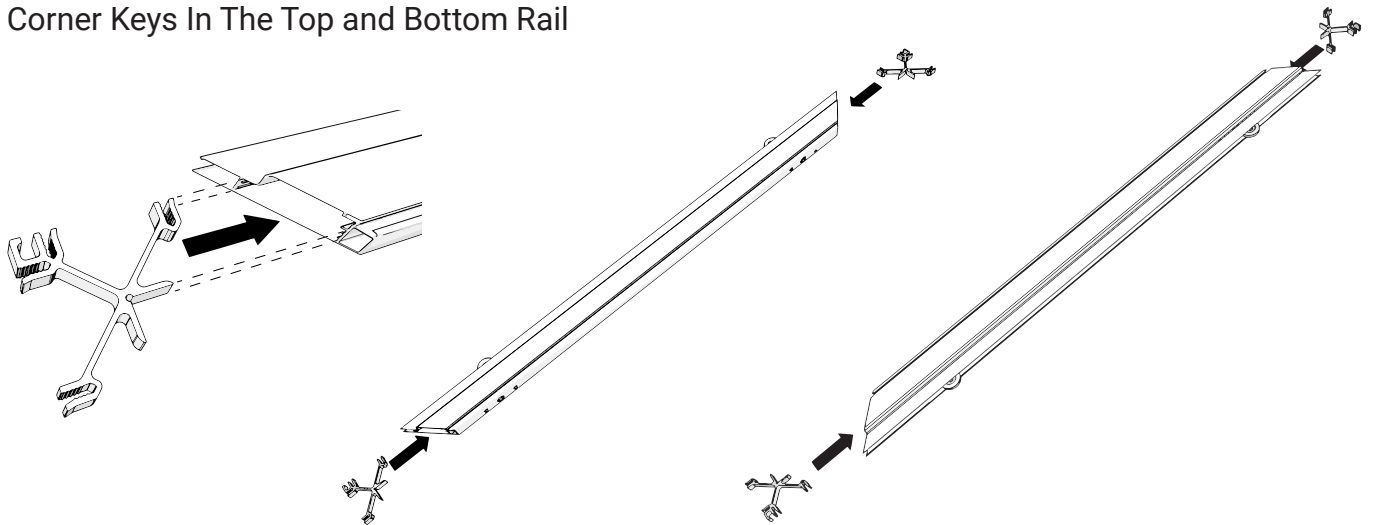
(See Samson How To Measure Instructions)



**3: Using Drill Template, Drill Corner Key Holes at Each Mitered End.**



**4: Slip Corner Keys In The Top and Bottom Rail**



**5: Complete Frame Assembly Using 10x1/2" Screws In Proper Order**

