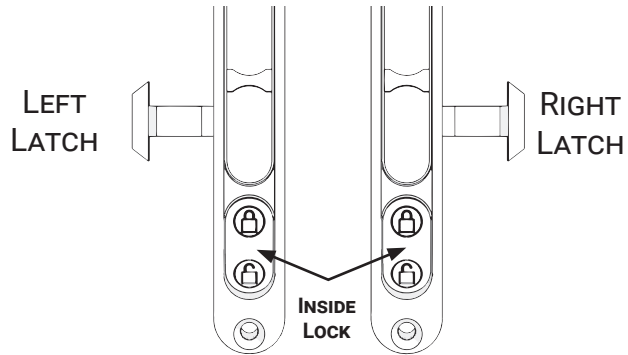
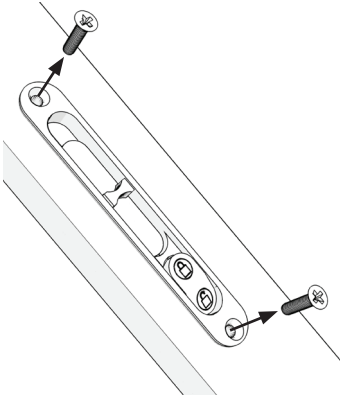


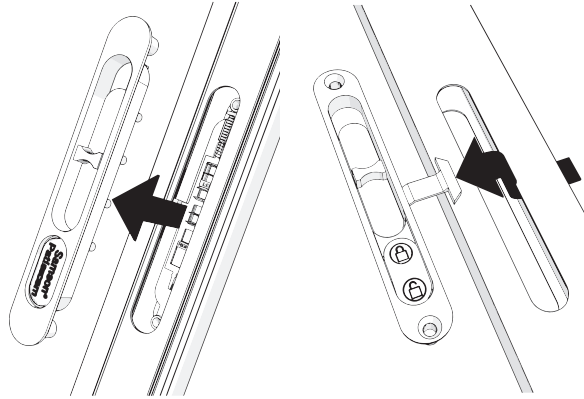
1: Determine which latch position is needed looking at the lock side of the handle



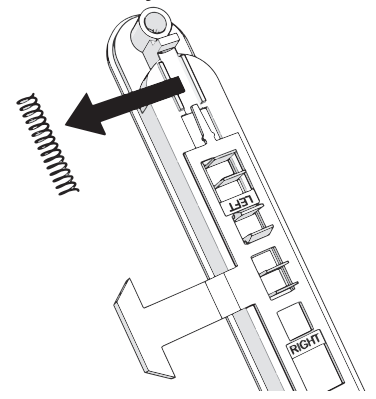
2: Remove Screws



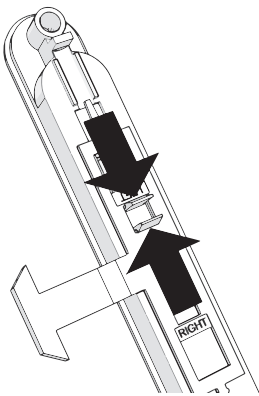
3: Remove Exterior and Interior Handle



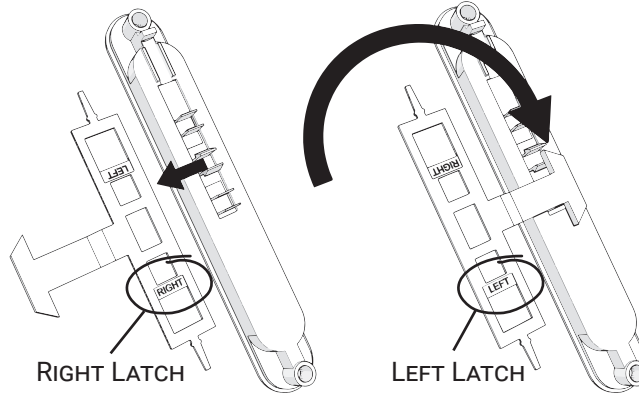
4: Carefully Remove Spring



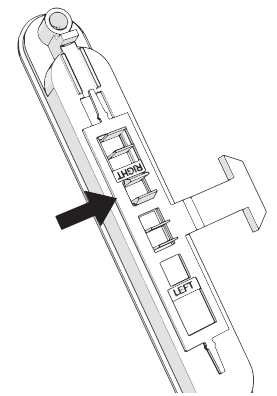
5: Depress Tabs



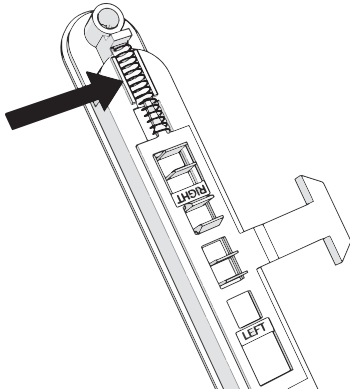
6: Remove Hook and Rotate to Proper Position



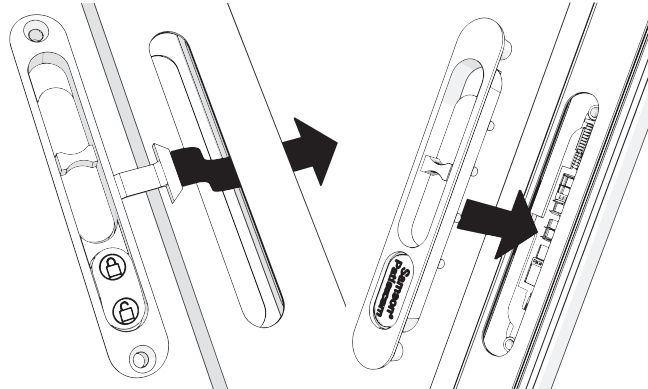
7: Snap Hook On Tabs



8: Carefully Install Spring



9: Install Interior and Exterior Handle



10: Install Screws

