

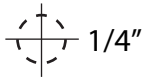


Albright In-Swing Handle Installation Instructions

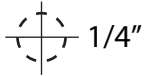
INSIDE
DOOR
FACE

FOLD HERE

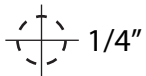
1/8" Pilot Hole



1/4"



1/4"



1/4"

INSIDE
DOOR
FACE

FOLD HERE

1/8" Pilot Hole

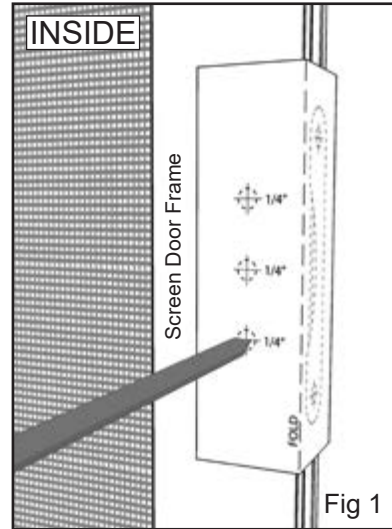


Fig 1

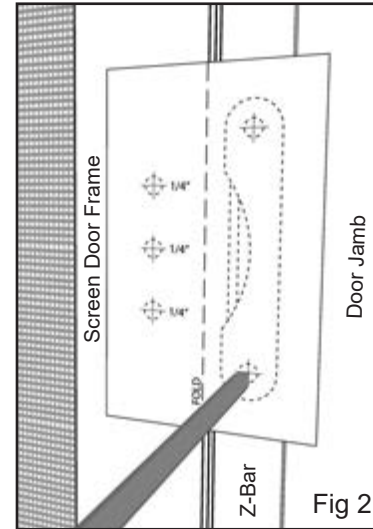


Fig 2

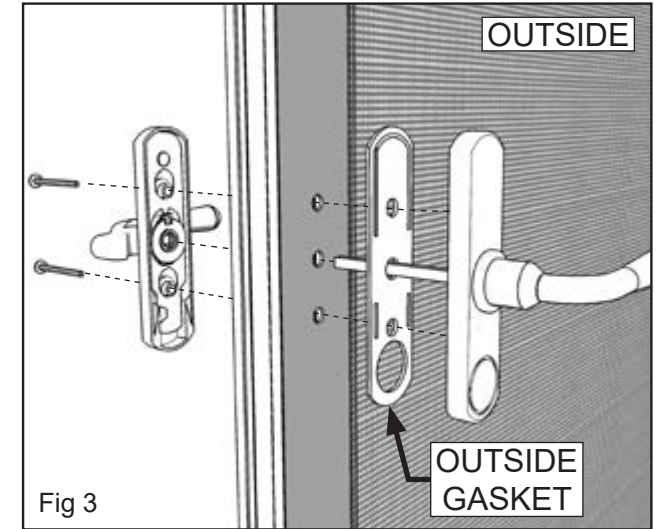


Fig 3

- A. Fold template around door frame at FOLD and mark three holes (**Fig 1**) Drill three 1/4" holes in door frame for handle.
- B. Unfold template and align with three drilled holes. Close door and mark two strike holes on door jamb Z-Bar (**Fig 2**).
- C. Install handle on door frame with gasket on the outside (**Fig 3**)
- D. Tighten screws BY HAND ONLY (**Fig 4**).
- E. Drill two 1/8" pilot holes for the strike using the marks made in **Step B (Fig 2)**.
- F. Install strike using two Phillips screws in pilot holes. (**Fig 5**)

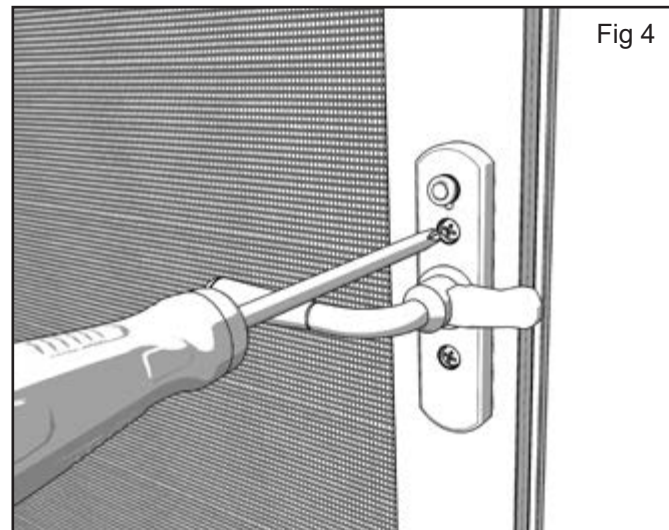


Fig 4

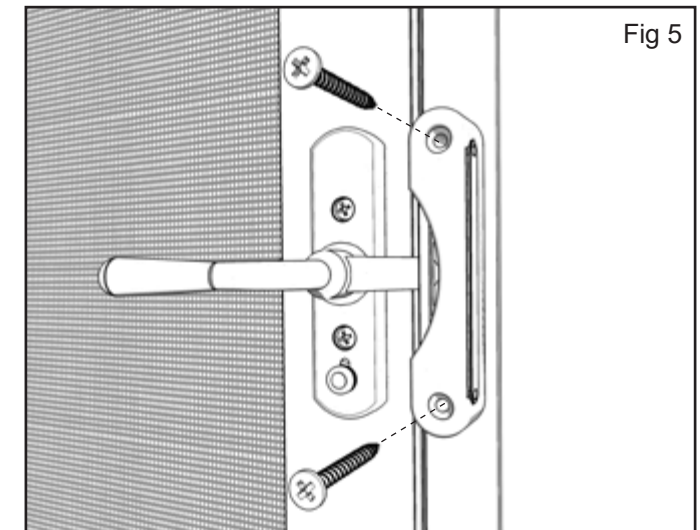


Fig 5